

Overview

Self-adhesive mounting bases and clamps for screw and rivet mounting

The main difference between a mounting base and a cable clamp is the way the cable bundle can be mounted: while the cable bundle is attached directly to the clamp, the mounting base requires a cable tie to hold the bundle.

Thomas & Betts offers a wide range of mounting bases and cable clamps, which can be self-adhesive or for screw and rivet mounting.

- Standard material: Polyamide 6.6
- Available in different types / material to suit any application
- Available in a wide range of sizes
- Temperature range: -40°C to +85°C
(+105°C for short periods)
- Low profile design
- Easy to install
- Extremely strong and durable adhesive
- The self-adhesive film is foam backed (0.8 mm) to compensate for any irregularities on the mounting surface
- When applicable Thomas & Betts accessories are UL recognised

Typical applications

Wiring of:

- Control boxes
- Vehicles
- Office equipment
- Machine control devices
- Machine construction
- Military equipment
- Aeronautics



Mounting bases



Cable clamps

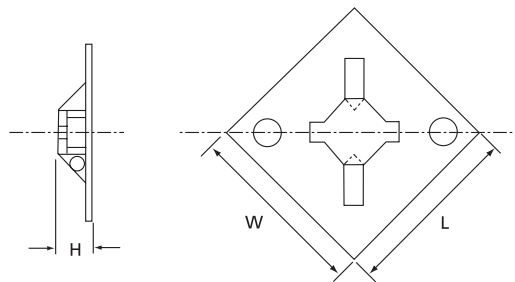
Accessories

Mounting bases

2 way entry bases

Self-adhesive/screw mounted

- The 2-way entry style can also be used as 4-way entry when used with ties up to 4.8 mm width, thanks to the separation located on the ceiling of the slot
- Choice of 3 materials: standard Polyamide 6.6 (natural), UV-resistant Polyamide 6.6 (black) and Tefzel®* (aquamarine)
- Supplied either on a rubber based (synthetic polymer) closed cell foam adhesive or without self adhesive



Technical Information: TC347, TC347A, TC347X

Material	Polyamide 6.6
Temperature range	-40°C to +85°C
Flammability rating	UL 94 V-2
Other properties	UV-resistant (black), Halogen free, Silicone free

Technical Information: TCZ347

Material	Tefzel®*
Temperature range	-46°C to +150°C
Flammability rating	UL 94 V-0
Other properties	UV-resistant, Halogen free, Silicone free, inert to most solvents and chemicals, hydrolytically stable, radiation resistant

*trademark registered by DuPont de Nemours

Ordering Information

PRODUCT REF.	COLOUR	MOUNTING METHOD	DIMENSIONS			FOR TIE WIDTH UP TO [mm]	MOUNTING HOLE Ø [mm]	QUANTITY [pieces]
			H [mm]	W [mm]	L [mm]			
TC347A	natural	screw / self-adhesive	8.5	29.0	29.0	7.6	4.4 (2x)	1000
TC347	natural	screw	7.8	28.6	28.6	7.6	4.4 (2x)	1000
TC347X	UV-resistant black	screw	7.8	28.6	28.6	7.6	4.4 (2x)	1000
TCZ347	aquamarine	screw	7.8	28.6	28.6	7.6	4.4 (2x)	500

See page 103 for self-adhesive material specifications.

Accessories

Mounting bases

4 way entry bases

Self-adhesive/screw mounted

- 3 types to cover most applications
- Supplied either on a rubber based (synthetic polymer) closed cell foam adhesive or without self adhesive
- Available in standard Polyamide 6.6 (natural) or UV-resistant Polyamide 6.6 (black)

Fig. 1

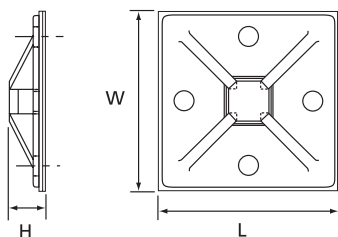


Fig. 2

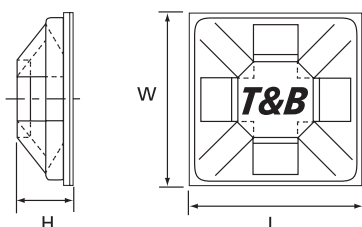
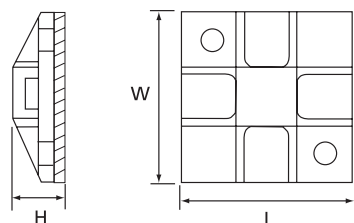


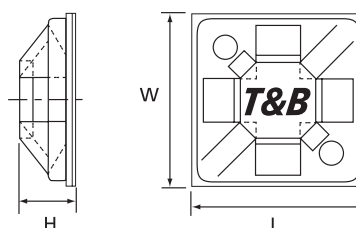
Fig. 3



Technical Information

Material - moulding	Polyamide 6.6
Temperature range	-40 °C to +85 °C
Flammability rating	UL 94 V-2
Colour	Natural, black or UV-resistant black
Other properties	UV-resistant (black), Halogen free, Silicone free

Fig. 4



Ordering Information

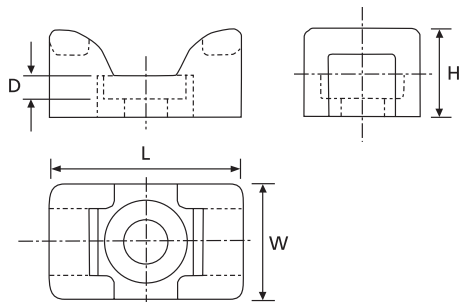
PRODUCT REF.	TYPE	COLOUR	MOUNTING METHOD	DIMENSIONS			FOR TIE WIDTH UP TO [mm]	MOUNTING HOLE Ø [mm]	QUANTITY [pieces]
				H [mm]	W [mm]	L [mm]			
TC050x050A	Fig. 2	natural	self-adhesive	12.7	12.7	4.5	3.0	–	1000
TC050x050AX	Fig. 2	UV-resistant black	self-adhesive	12.7	12.7	4.5	3.0	–	1000
MPNY-750-0-D	Fig. 3	black	self-adhesive	19.4	19.4	5.2	3.2	–	500
MPNY-750-9-D	Fig. 3	natural	self-adhesive	19.4	19.4	5.2	3.2	–	500
TC344A	Fig. 4	natural	screw / self-adhesive	19.1	19.1	4.9	3.6	3.0	1000
TC344AX	Fig. 4	UV-resistant black	screw / self-adhesive	19.1	19.1	4.9	3.6	3.0	1000
TC345A	Fig. 1	natural	screw / self-adhesive	28.6	28.6	7.4	4.8	4.3	1000
TC345AX	Fig. 1	UV-resistant black	screw / self-adhesive	28.6	28.6	7.4	4.8	4.3	1000
MPNY-1000-0-D	Fig. 3	black	self-adhesive	25.4	25.4	5.5	5.2	–	100
MPNY-1000-9-D	Fig. 3	natural	self-adhesive	25.4	25.4	5.5	5.2	–	100
TC150x150A	Fig. 1	natural	screw / self-adhesive	38.1	38.1	7.4	7.9	4.3	500
TC150x150	Fig. 1	natural	screw	38.1	38.1	7.4	7.9	4.3	500
TC200x200A	Fig. 1	natural	screw / self-adhesive	50.8	50.8	7.4	7.9	4.3	500
TC200x200	Fig. 1	natural	screw	50.8	50.8	7.4	7.9	4.3	500
TC368	Fig. 1	natural	screw	50.8	50.8	6.6	19.1	4.3	500
TC368A	Fig. 1	natural	screw / self-adhesive	50.8	50.8	6.6	19.1	4.3	500

See page 103 for self-adhesive material specifications.

Accessories

Mounting bases, Saddle support

- Tie mounting bases with supporting saddle
- For screw- or rivet-mounting
- Available in 2 different shapes and 5 sizes
- The prism-shape of the saddle prevents twisting around the fixture
- High strength through compact design
- Non-conductive, non-corrosive, resistant to fuels, lubricants and most chemicals



1.2

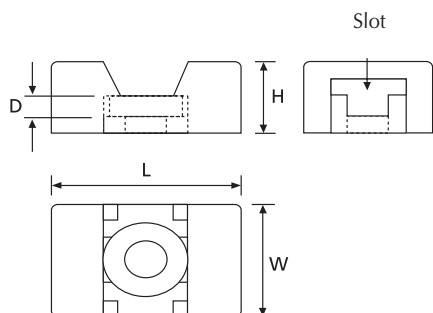
Technical Information

Material	Polyamide 6.6
Temperature range	-40°C to +85°C
Colour	Natural
Mounting method	Screw
Flammability rating	UL 94 V-2
Other properties	Halogen free, Silicone free

Ordering Information

PRODUCT REF.	COLOUR	DIMENSIONS				FOR TIE WIDTH UP TO [mm]	MOUNTING HOLE Ø [mm]	QUANTITY [pieces]
		H [mm]	W [mm]	L [mm]	D [mm]			
TC140	natural	6.7	8.7	14.2	1.8	2.4	3.0	500
TC141	natural	7.5	11.1	17.0	2.3	4.8	3.8	500
TC142	natural	10.7	14.2	23.4	2.9	7.6	5.2	500

For other colours and quantities please contact your Sales Office



Technical Information

Material	Polyamide 6.6, Heat stabilised
Temperature range	-40°C to +105°C
Colour	Black or natural (see table)
Mounting method	Screw
Flammability rating	UL 94 V-2
Other properties	Halogen free, Silicone free, Heat stabilised

Ordering Information

PRODUCT REF.	COLOUR	DIMENSIONS				FOR TIE WIDTH UP TO [mm]	MOUNTING HOLE Ø [mm]	QUANTITY [pieces]
		H [mm]	W [mm]	L [mm]	D [mm]			
SMNY-001-9-D	black	7.1	9.8	15.2	4.7	4.8	4.2	500
SMNY-001-0-D	natural	7.1	9.8	15.2	4.7	4.8	4.2	500
SMNY-002-9-D	black	9.9	15.9	22.2	7.6	7.6	4.7	500
SMNY-002-0-D	natural	9.9	15.9	22.2	7.6	7.6	4.7	500

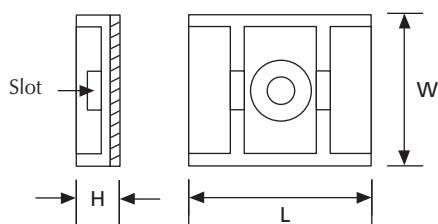
For other colours and quantities please contact your Sales Office

Accessories

Mounting bases

Self-adhesive mounting cradle

- Accepts cable ties to 7.6 mm width
- Supplied “two-up” on closed cell foam with synthetic polymer “rubber” based adhesive
- Use M3.5 self-tapping screw for added strength if desired



Technical Information

Material	Polyamide 6.6
Temperature range	-40°C to +85°C
Colour	Natural or UV resistant black (see table)
Mounting method	Self adhesive and/or screw
Flammability rating	UL 94 V-2
Other properties	UV-resistant (black), Halogen free, Silicone free

Ordering Information

PRODUCT REF.	COLOUR	DIMENSIONS			FOR TIE WIDTH UP TO	QUANTITY
		H [mm]	W [mm]	L [mm]		
MCNY-1250-9-C	natural	7.2	31.7	25.4	7.6	100
MCNY-1250-0-C	UV-resistant black	7.2	31.7	25.4	7.6	100

See page 103 for adhesive material specifications

For other colours and quantities please contact your Sales Office

Accessories

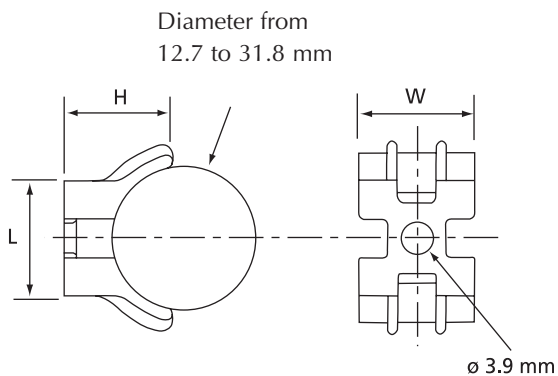
Mounting bases

Saddle-type mounting base

The saddle-type mounting bases allow 3 possible cable mounting:

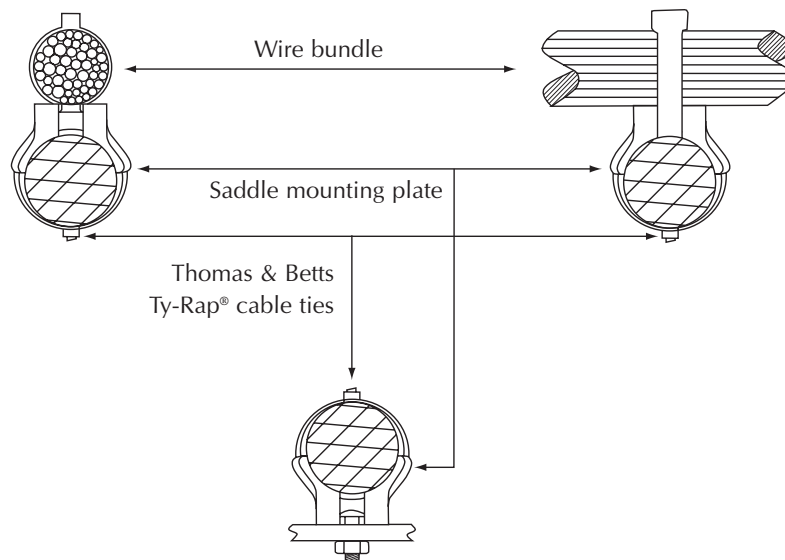
- the cables can be attached to a flat surface on which the base is screwed
- the cable bundles can be mounted in parallel
- the cable bundles can be mounted crosswise

Can also be used for the mounting of cylindrical objects having a diameter between 12.7 and 31.8 mm



Technical Information

Material	Polyamide 6.6
Temperature range	-40°C to +85°C
Colour	Natural
Mounting method	Screw
Flammability rating	UL 94 V-2
Other properties	Halogen free, Silicone free



Ordering Information

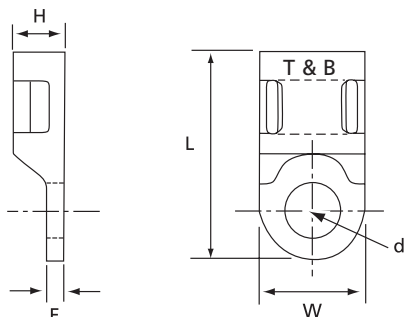
PRODUCT REF.	DIMENSIONS			MAXIMUM BUNDLE Ø [mm]	FOR TIE WIDTH UP TO [mm]	MOUNTING HOLE Ø [mm]	WEIGHT [g/100]	QUANTITY [pieces]
	H [mm]	W [mm]	L [mm]					
TC92	14.3	15.1	15.1	20	4.8	3.9	143	100

Accessories

Mounting bases

Screw-mounted bases

- Low profile mounting base
- For screw- or rivet-mounting
- Easy to use thanks to the cable tie insertion guide



Technical Information

Material	Polyamide 6.6
Temperature range	-40°C to +85°C
Colour	Natural
Mounting method	Fillister-head screw
Flammability rating	UL 94 V-2
Other properties	Halogen free, Silicone free

Ordering Information

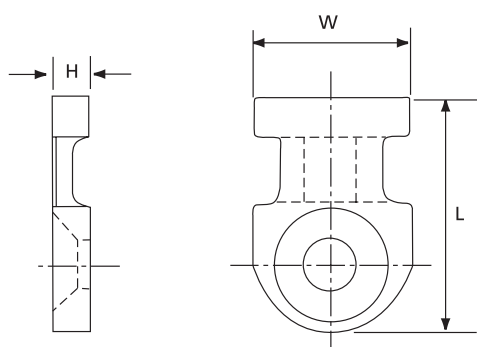
PRODUCT REF.	DIMENSIONS				FOR TIE WIDTH UP TO [mm]	MOUNTING HOLE Ø d [mm]	WEIGHT [g/100]	QUANTITY [pieces]
	H [mm]	W [mm]	L [mm]	E [mm]				
TC814-TB	4.8	9.5	19.1	2.0	4.8	3.3	44	1000
TC112-TB	4.8	9.5	19.1	2.0	4.8	4.4	44	1000
TC812-TB	4.8	9.5	19.1	2.0	4.8	5.1	44	1000

For other colours and quantities please contact your Sales Office

Mounting bases

Screw-mounted bases

- Extremely low profile
- For screw- or rivet-mounting
- Easy to use thanks to the cable tie insertion guide



Technical Information

Material	Polyamide 6.6
Temperature range	-40°C to +85°C
Colour	Natural
Mounting method	Countersunk-head screw
Flammability rating	UL 94 V-2
Other properties	Halogen free, Silicone free

Ordering Information

PRODUCT REF.	DIMENSIONS			FOR TIE WIDTH UP TO [mm]	MOUNTING HOLE Ø [mm]	WEIGHT [g/100]	QUANTITY [pieces]
	H [mm]	W [mm]	L [mm]				
TC804-TB	2.4	7.9	10.2	2.4	2.3	11	1000
TC104	2.4	7.9	10.3	2.4	3.4	11	1000
TC102	3.2	12.7	19.1	4.8	4.4	50	1000

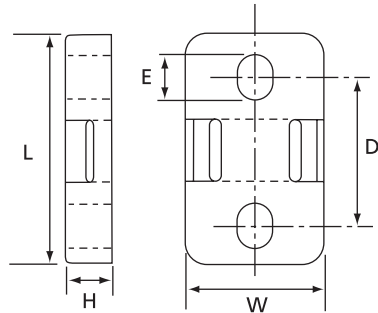
For other colours and quantities please contact your Sales Office

Accessories

Mounting bases

Screw-mounted bases for wide cable ties

- Extremely low profile
- For screw- or rivet-mounting
- Easy to use thanks to the cable tie insertion guide
- Secure fixing with 2 fastening holes



Technical Information

Material	Polyamide 6.6
Temperature range	-40°C to +85°C
Colour	Natural
Mounting method	2 screws
Flammability rating	UL 94 V-2
Other properties	Halogen free, Silicone free

Ordering Information

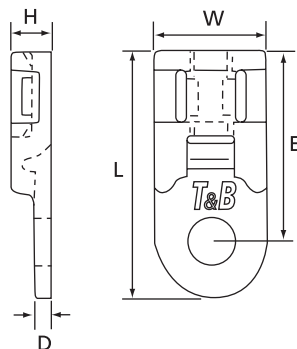
PRODUCT REF.	DIMENSIONS					FOR TIE WIDTH UP TO [mm]	MOUNTING HOLE Ø [mm]	WEIGHT [g/100]	QUANTITY [pieces]
	H [mm]	W [mm]	L [mm]	D [mm]	E [mm]				
TC815-TB	6.4	19.1	31.2	19.9	6.4	7.6	5.3	278	500

For other colours and quantities please contact your Sales Office

Mounting bases

Screw-mounted bases for crosswise fastening

- Extremely low profile
- For screw- or rivet-mounting
- Easy to use thanks to the cable tie insertion guide
- Two ties can be fastened crosswise to securely fix cable intersections



Technical Information

Material	Polyamide 6.6
Temperature range	-40°C to +85°C
Colour	Natural
Mounting method	Screw
Flammability rating	UL 94 V-2
Other properties	Halogen free, Silicone free

Ordering Information

PRODUCT REF.	DIMENSIONS					FOR TIE WIDTH UP TO [mm]	MOUNTING HOLE Ø [mm]	WEIGHT [g/100]	QUANTITY [pieces]
	H [mm]	W [mm]	L [mm]	D [mm]	E [mm]				
TC828-TB	3.8	10.1	22.5	1.5	13.4	4.8	4.3	46	1000

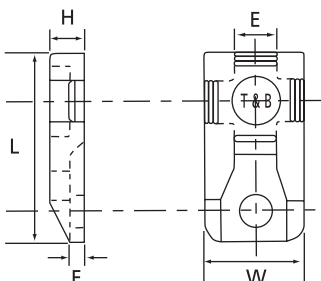
For other colours and quantities please contact your Sales Office

Accessories

Mounting bases

Screw-mounted bases for crosswise fastening

- Extremely low profile
- For screw- or rivet-mounting
- Easy to use thanks to the cable tie insertion guide
- Two ties can be fastened crosswise to securely fix cable intersections



Technical Information

Material	Polyamide 6.6
Temperature range	-40°C to +85°C
Colour	Natural
Mounting method	Screw
Flammability rating	UL 94 V-2
Other properties	Halogen free, Silicone free

Ordering Information

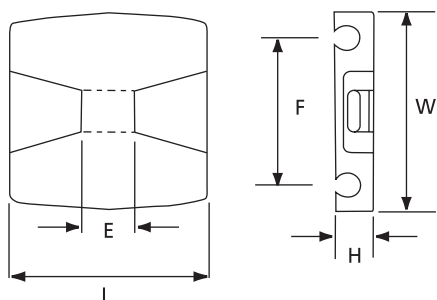
PRODUCT REF.	DIMENSIONS					FOR TIE WIDTH UP TO [mm]	MOUNTING HOLE Ø [mm]	WEIGHT [g/100]	QUANTITY [pieces]
	H [mm]	W [mm]	L [mm]	E [mm]	F [mm]				
TC826-TB	5.7	12.7	23.8	5.3	2.0	4.8	4.4	102	1000

For other colours and quantities please contact your Sales Office

Mounting bases

Glue mounted bases

- Tie mounting base for gluing
- Low profile
- Easy to use



Technical Information

Material	Polyamide 6.6
Temperature range	-40°C to +85°C
Colour	Natural
Mounting method	2 component glue (Product Ref. TC2PA *)
Flammability rating	UL 94 V-2
Other properties	Halogen free, Silicone free

* Product Ref. TC2PA: see page 103 for specifications

Ordering Information

PRODUCT REF.	DIMENSIONS					FOR TIE WIDTH UP TO [mm]	WEIGHT [g/100]	QUANTITY [pieces]
	H [mm]	W [mm]	L [mm]	E [mm]	F [mm]			
TC342	5.7	29.0	29.0	7.5	21.0	4.8	340	1000
TC817-TB	4.8	11.0	11.0	-	-	4.8	51	1000

Accessories

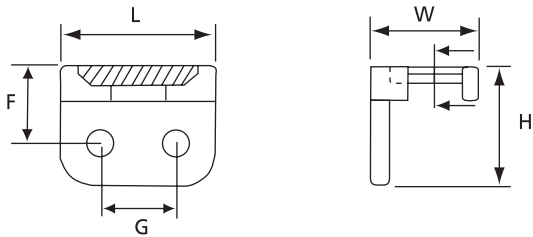
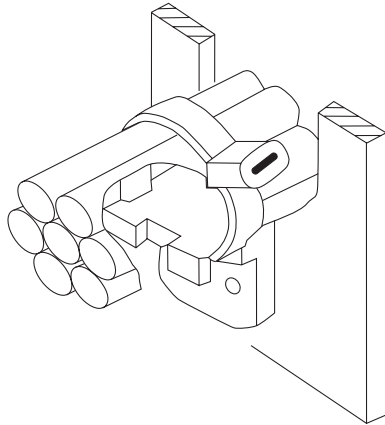
Mounting bases

Screw-mounted supporting bases

- Supporting mounting base with strong hold thanks to 2 mounting holes
- Can be screwed or riveted
- Allows double and/or crosswise (two ties) fixing
- For parallel and through mounting with support
- Suitable for large bundle diameters



1.2



Technical Information

Material	Polyamide 6.6
Temperature range	-40°C to +85°C
Colour	Natural
Mounting method	2 screws
Flammability rating	UL 94 V-2
Other properties	Halogen free, Silicone free

Ordering Information

PRODUCT REF.	DIMENSIONS						FOR TIE WIDTH UP TO [mm]	MOUNTING HOLE Ø [mm]	WEIGHT [g/100]	QUANTITY [pieces]
	H [mm]	W [mm]	L [mm]	G [mm]	E [mm]	F [mm]				
TC106	25.4	19.1	25.4	12.7	4.6	16.5	7.6	3.3 (x 2)	435	200
TC109	11.1	9.9	14.3	7.1	1.7	7.0	4.8	2.4 (x 2)	45	1000

Accessories

Mounting bases

Screw-mounted strips for multiple bundling

- Tie mounting strips for up to 6 bundles simultaneously
- When mounted, the tie is guided through the clamp for fast assembly

Product Ref. TC1101 to TC1117

- Simple and strong flat mounting beams for fixing multiple cables, bundles or components
- Mil. Specified
- VG approved (VG 95387, item 2)

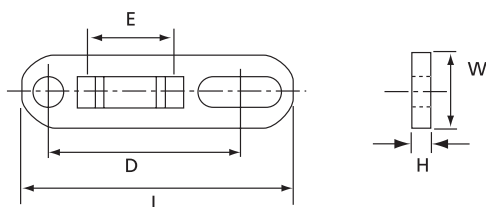
Product Ref. TC375 and TC376

- For vertical and double-side mounting

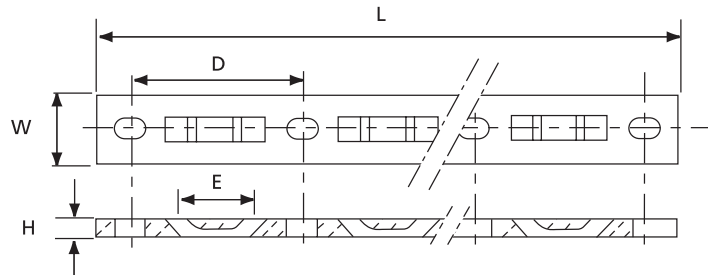
Product Ref. TC101 and TC103

- Elongated fastening hole on one end allows greater flexibility during mounting

TC101 & TC103



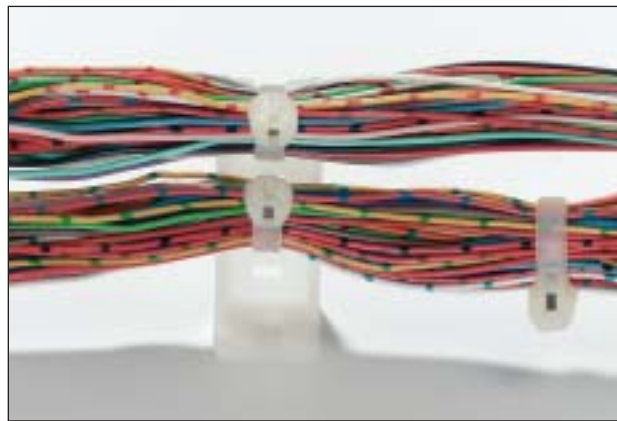
TC1101 ... TC1117



Ordering Information

PRODUCT REF.	MIL SPEC.	DIMENSIONS					MAX. NUMBER OF BUNDLES	FOR TIE WIDTH UP TO [mm]	MOUNTING HOLE Ø [mm]	WEIGHT [g/100]	QUANTITY [pieces]
		H [mm]	W [mm]	L [mm]	D [mm]	E [mm]					
TC101	–	3.2	12.7	50.0	35.6	9.5	1	4.8	5.2	151	1000
TC103	–	5.1	15.8	79.0	59.6	18.6	1	7.6	6.9	505	500
TC1101	MS-3339-1-9	3.2	12.7	44.0	31.8	9.5	1	4.8	3.7	160	100
TC1102	MS-3339-2-9	3.2	12.7	76.0	31.8	9.5	2	4.8	3.7	280	100
TC1103	MS-3339-3-9	3.2	12.7	108.0	31.8	9.5	3	4.8	3.7	400	100
TC1104	MS-3339-4-9	3.2	12.7	140.0	31.8	9.5	4	4.8	3.7	520	100
TC1105	MS-3339-5-9	3.2	12.7	171.0	31.8	9.5	5	4.8	3.7	650	100
TC1112	MS-3339-11-9	5.2	15.9	244.0	38.1	14.3	6	7.6	3.7	1679	100
TC1113	MS-3339-6-9	5.2	15.9	53.3	38.1	14.3	1	7.6	3.7	385	100
TC1114	MS-3339-7-9	5.2	15.9	91.4	38.1	14.3	2	7.6	3.7	658	100
TC1115	MS-3339-8-9	5.2	15.9	130.0	38.1	14.3	3	7.6	3.7	914	100
TC1116	MS-3339-9-9	5.2	15.9	168.0	38.1	14.3	4	7.6	3.7	1190	100
TC1117	MS-3339-10-9	5.2	15.9	206.0	38.1	14.3	5	7.6	3.7	1141	100
TC375	–	19.1	17.5	93.0	–	6.4	5	4.8	4.8	486	100
TC376	–	17.0	17.5	44.0	–	6.4	2	4.8	4.8	253	100

For other colours and quantities please contact your Sales Office

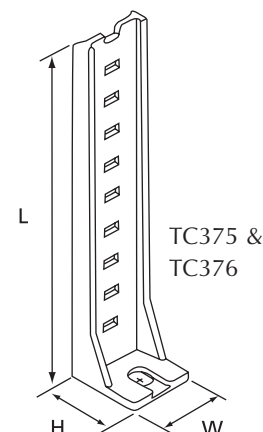


Technical Information

Material	Polyamide 6.6
Temperature range	-40°C to +85°C
Colour	Natural
Mounting method	2 screws (1 screw for Prod. Ref. TC376 & TC375)
Flammability rating	UL 94 V-2
Other properties	Halogen free, Silicone free

Approvals

VG approved (VG 95387, item 2)



Accessories

Mounting bases

Heavy-duty bases

- Tie mounting base for outdoor installation
- A strong, weatherproof and durable outdoor fastening solution for pipes, hoses, cables, etc.

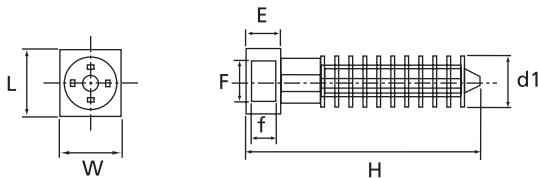
Product Ref. TC5358 and TC5359

- Built-in plug for mounting into walls
- Easy to install: the plug is simply hammered into a hole
- The lamellar plug ensures high tensile strength and durability
- Product Ref. TC5359 can be used with lashing tie TY-409 (see page 24) and Col-Ty™ installation ties (see page 47)

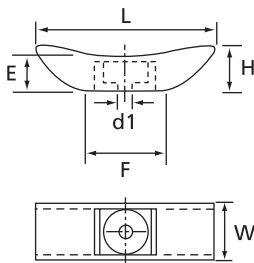
Product Ref. TC5355 to TC5357

- For screw-fastening
- Product Ref. TC5359 can be used with lashing tie TY-409 (see page 24) and Col-Ty™ installation ties (see page 47)
- Ergonomically shaped for trouble-free installation

TC5358-TC5359



TC5355-TC5356-TC5357



Technical Information

Material	UV-stabilised Polyamide 6.6
Temperature range	-40°C to +85°C
Colour	Black
Mounting method	Screw (for Product ref. TC5355 to TC5357 only)
Flammability rating	UL 94 V-2
Other properties	UV-resistant, Halogen free, Silicone free

Ordering Information

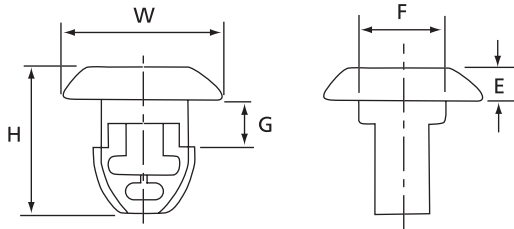
PRODUCT REF.	DIMENSIONS						FOR TIE WIDTH UP TO	MOUNTING HOLE Ø d1	WEIGHT [g/100]	QUANTITY [pieces]
	H [mm]	W [mm]	L [mm]	E [mm]	F [mm]	f [mm]				
TC5355	15.9	19.1	44.5	11.1	28.6	-	12.7	4.6	500	25
TC5356	15.9	19.1	44.5	11.1	28.6	-	12.7	5.2	500	25
TC5357	15.9	19.1	44.5	11.1	28.6	-	12.7	6.7	500	25
TC5358	31.8	9.9	9.9	7.1	5.6	2.3	4.8	6.4 (in wall)	120	100
TC5359	38.4	19.1	19.1	8.1	14.0	3.1	12.7	9.5 (in wall)	320	50

Accessories

Mounting bases

Clip-in mounting bases for blind mounting

- Clip-in tie mounting bases for housings, faceplates etc
- With fastening clip for blind-mounting and two openings for two 2.8 mm or 4.8 mm ties
- Low profile



Technical Information

Material	Polyamide 6.6
Temperature range	-40°C to +85°C
Colour	Natural
Mounting method	Clip in
Flammability rating	UL 94 V-2
Other properties	Halogen free, Silicone free

Ordering Information

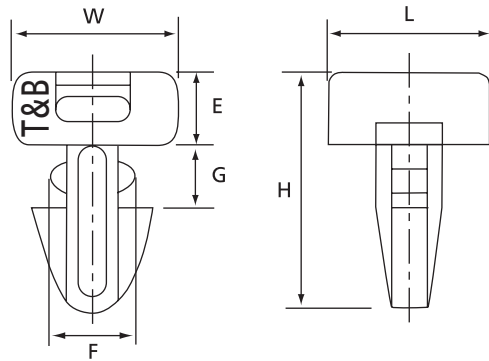
PRODUCT REF.	DIMENSIONS					PANEL THICKNESS FROM ... TO	FOR TIE WIDTH UP TO	MOUNTING HOLE Ø	WEIGHT [g/100]	QUANTITY [pieces]
	H [mm]	W [mm]	G [mm]	E [mm]	F [mm]					
TC121-TB	10.4	11.2	3.4	2.0	6.1	0.1 - 3.2	2.4 and 4.8	6.3	31	1000

Accessories

Mounting bases

Clip-in mounting bases for surface mounting

- Clip-in tie mounting bases for housings, faceplates etc
- With fastening clip for surface mounting
- Low profile



Technical Information

Material	Polyamide 6.6
Temperature range	-40°C to +85°C
Colour	Natural (TC823-TB & TC823FR) UV-resistant black (TC823X)
Mounting method	Clip in
Flammability rating	UL 94 V-0 (TC823FR) UL 94 V-2 (TC823-TB & TC823X)
Other properties	UV-resistant (black), Halogen free, Silicone free

Ordering Information

PRODUCT REF.	DIMENSIONS						PANEL THICKNESS FROM ... TO	FOR TIE WIDTH UP TO	MOUNTING HOLE Ø	WEIGHT [g/100]	QUANTITY [pieces]
	H [mm]	W [mm]	L [mm]	G [mm]	E [mm]	F [mm]					
TC823-TB	16.8	11.1	11.1	3.6	5.1	5.8	0.1 - 3.2	4.8	6.2 - 6.5	68	1000
TC823X	16.8	11.1	11.1	3.6	5.1	5.8	0.1 - 3.2	4.8	6.2 - 6.5	68	1000
TC823FR	16.8	11.1	11.1	3.6	5.1	5.8	0.1 - 3.2	4.8	6.2 - 6.5	68	1000

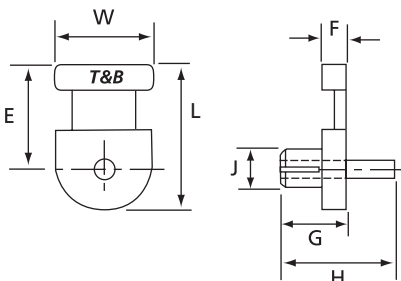
For other colours and quantities please contact your Sales Office

Accessories

Mounting bases

Rivet-mounted bases

- Low profile mounting base with integrated rivet
- Easy to install into normal or blind holes: just hammer in the expanding harbour
- Parts are colour-coded according to hole diameter to avoid confusion



Technical Information

Material	Polyamide 6.6
Temperature range	-40°C to +85°C
Colour	See table
Mounting method	Rivet mounted
Flammability rating	UL 94 V-2
Other properties	Halogen free, Silicone free

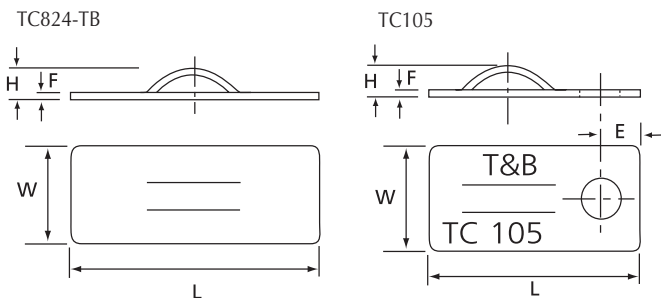
Ordering Information

PRODUCT REF.	COLOUR	DIMENSIONS							FOR TIE WIDTH UP TO	MOUNTING HOLE Ø	WEIGHT [g/100]	QUANTITY
		W [mm]	L [mm]	F [mm]	E [mm]	G [mm]	H [mm]	J [mm]				
TC116-TB	red	12.7	19.1	3.2	13.9	8.6	15	3.9	4.8	3.7	70.5	1000
TC118-TB	blue	12.7	19.1	3.2	13.9	8.6	15	4.5	4.8	4.4	71.0	1000
TC120	yellow	12.7	19.1	3.2	13.9	8.6	15	5.2	4.8	4.9	71.5	1000

Mounting bases

Aluminium plates

- Very strong mounting base for gluing and/or screw mounting
- Low profile
- Soft material can be perfectly shaped onto any support
- Lightweight
- Does not age even under extreme temperatures



Technical Information

Material	Aluminium (3003, ASTM-B-209)
Temperature range	-100°C to +450°C
Colour	Metallic
Mounting method	Glue (*) and / or screw
Flammability rating	Fire proof
Other properties	UV-resistant

Ordering Information

PRODUCT REF.	MOUNTING METHOD	DIMENSIONS					FOR TIE WIDTH UP TO	MOUNTING HOLE Ø	WEIGHT [g/100]	QUANTITY
		H [mm]	W [mm]	L [mm]	E [mm]	F [mm]				
TC105	screw	3.8	13.2	25.4	4.8	0.8	4.8	4.9	67	1000
TC824-TB	2-component glue*	3.8	9.5	34.9	-	0.8	4.8	-	69	1000

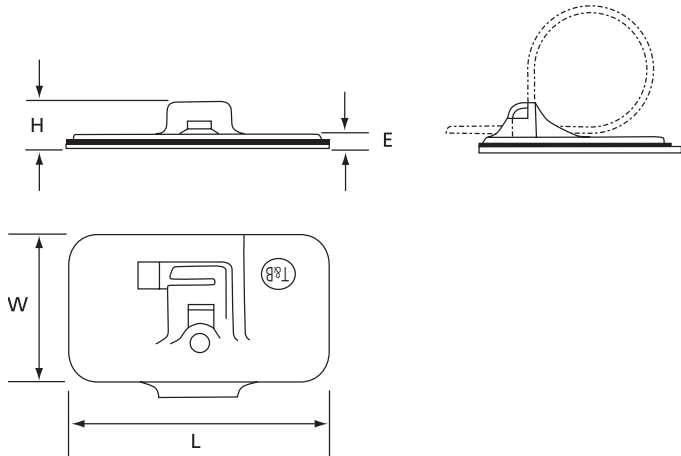
(*) Product. Ref. TC2PA (see page 103) for specifications

Accessories

Mounting bases

Special mounting bases for Ty-Rap® cable ties

- Easy to install: The Ty-Rap® is slid into the mounting base before its installation
- Recommended for use with Ty-Rap® cable ties TY25M, TY253M and TY28M (see page 11)



Technical Information

Material	Polyamide 6.6
Temperature range	-40°C to +85°C
Colour	Natural
Mounting method	Self-adhesive and / or screw-mounting
Flammability rating	UL 94 V-2
Other properties	Halogen free, Silicone free

Ordering Information

PRODUCT REF.	MOUNTING METHOD	DIMENSIONS				FOR TIE WIDTH UP TO [mm]	ADHESIVE STRENGTH ON STEEL [N/cm]	HOLE DIAMETER [mm]	WEIGHT [g/100]	QUANTITY [pieces]
		H [mm]	W [mm]	L [mm]	E [mm]					
TC353A	self-adhesive / screw	9.1	25.4	50.9	2.5	4.8	72	3.8	320	100
TC5353A	self-adhesive / screw	9.1	25.4	50.9	2.5	4.8	72	3.8	320	25
TC353	screw	8.4	26.5	52.0	1.4	4.8	-	3.8	320	100

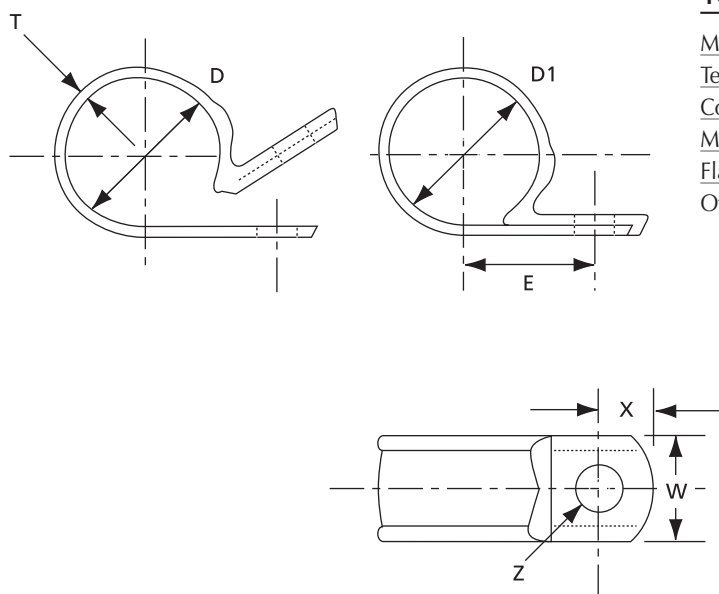
See page 103 for self-adhesive material specifications.

Accessories

Cable clamps

Self-aligning cable clamps

- Moulded-in saddle washer enhances performance and appearance
- Self-alignment feature makes this clamp ideal for assembly applications
- 14 diameters and 2 widths with mounting holes for M4 and M5 screws
- Item numbers moulded-in for easy identification
- Indoor application



Technical Information

Material	Heat-stabilised Polyamide 6.6
Temperature range	-40°C to +105°C
Colour	Black
Mounting method	Screw
Flammability rating	UL 94 V-2
Other properties	Halogen free, Silicone free

Ordering Information

PRODUCT REF.	DIMENSIONS							QUANTITY
	D NOMINAL DIAMETER [mm]	D1 CLOSED DIAMETER [mm]	E [mm]	T [mm]	W [mm]	Z [mm]	X [mm]	
W4NY-125-0-C	3.17	2.89	8.46	1.02	9.52	4.24	6.53	100
W4NY-187-0-C	4.76	4.36	9.02	1.02	9.52	4.24	5.53	100
W4NY-250-0-C	6.34	5.94	9.70	1.02	9.52	4.24	4.83	100
W4NY-312-0-C	7.93	7.54	10.71	1.02	9.52	4.24	5.21	100
W4NY-375-0-C	9.52	9.11	11.53	1.02	9.52	4.24	5.33	100
W4NY-500-0-C	12.69	12.29	12.45	1.02	9.52	4.24	6.76	100
W6NY-562-0-C	14.28	13.90	16.68	1.52	12.69	5.15	5.99	100
W6NY-625-0-C	15.87	15.46	16.17	1.52	12.69	5.15	7.37	100
W6NY-687-0-C	17.46	17.06	17.63	1.52	12.69	5.15	8.31	100
W6NY-750-0-C	19.04	18.64	18.44	1.52	12.69	5.15	8.28	100
W6NY-812-0-C	20.63	20.24	19.71	1.52	12.69	5.15	8.20	100
W6NY-875-0-C	22.22	21.81	18.62	1.52	12.69	5.15	7.87	100
W6NY-1000-0-C	25.39	24.99	22.38	1.52	12.69	5.15	7.42	100
W6NY-1250-0-C	31.73	31.16	25.65	1.52	12.69	5.15	8.61	100

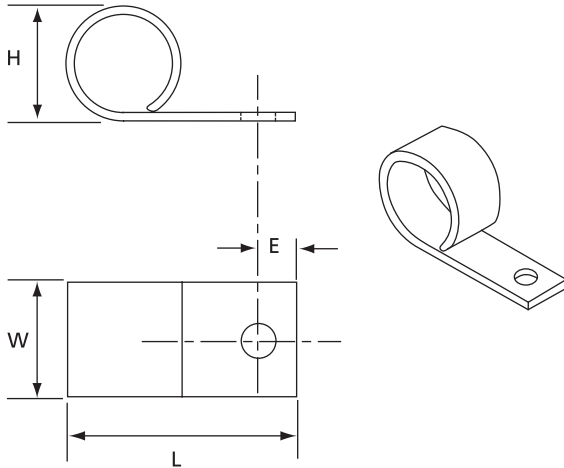
Also available in quantities of 1,000 pieces. For other colours please contact your Sales Office

Accessories

Cable clamps

Rigid PVC cable clamps

- Open mounting clips
- Easy to use: cables, for example, are simply pushed sideways into the clip one by one



1.2

Technical Information

Material	Rigid PVC
Temperature range	-40°C to +85°C
Colour	White
Mounting method	Screw
Flammability rating	UL 94 V-2

Ordering Information

PRODUCT REF.	DIMENSIONS				MOUNTING HOLE Ø [mm]	WEIGHT [g/100]	QUANTITY [pieces]
	H [mm]	W [mm]	L [mm]	E [mm]			
TC70	6.4	9.9	22.2	6.4	5.2	49	100
TC71	12.7	9.9	29.0	6.4	5.2	123	100
TC72	20.6	13.1	36.9	6.4	5.2	259	100
TC73	25.4	13.1	46.8	6.4	5.2	399	100
TC74	38.1	13.1	58.3	6.4	5.2	608	100

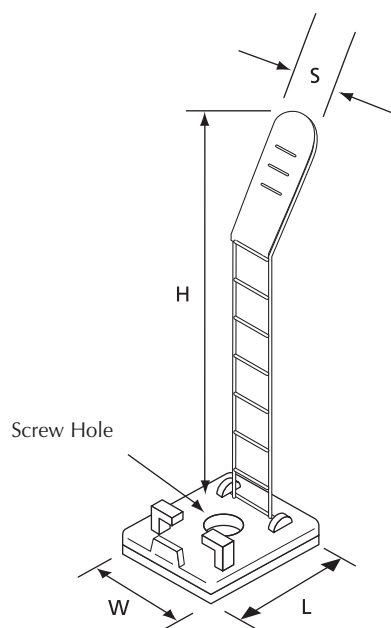
For other quantities please contact your Sales Office

Accessories

Cable clamps

Adjustable, ladder style clamps

- Ladder style fastener is easily released and refastened
- Supplied "single-cut" on a rubber based closed cell foam adhesive
- In addition, can also be mounted with a screw, for improved pull-off strength



Technical Information

Material	Polyamide 6.6
Temperature range	-40°C to +85°C
Colour	Grey
Mounting method	Self adhesive and / or screw-mounting
Flammability rating	UL 94 V-2 (clamp)
Other properties	Halogen free, Silicone free

Ordering Information

PRODUCT REF.	DIMENSIONS				BUNDLE DIAMETER RANGE [mm]	SCREW HOLE DIAMETER [mm]	QUANTITY [pieces]
	H [mm]	W [mm]	L [mm]	S [mm]			
ULNY-013-8-C	59.5	18	25	8	3 - 12.7	2.79	100
ULNY-018-8-C	79.4	21	30	12	5 - 21.0	2.79	100
ULNY-023-8-C	85.5	25	35	14	7 - 25.0	3.43	100

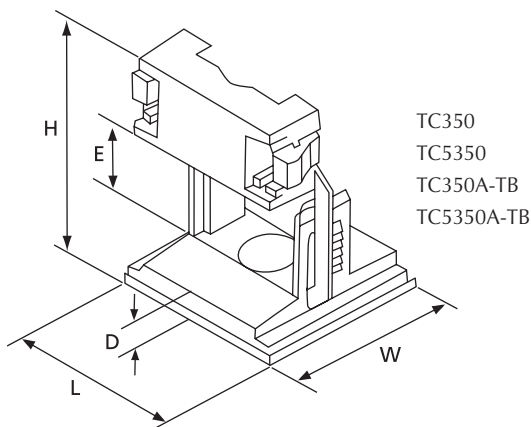
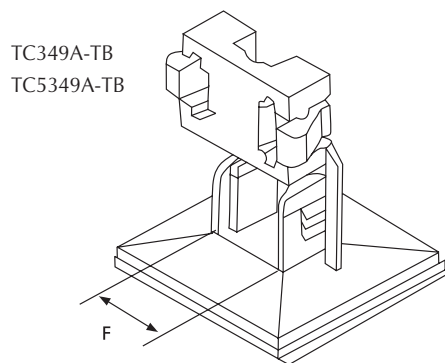
For other quantities please contact your Sales Office

Accessories

Cable clamps

Latching clamps

- Re-usable tie mounting clamps
- For self-adhesive and / or screw- or rivet mounting
- One-piece design with integrated releasable lock
- The inner profile protects sensitive cables, fibre optics etc
- Desired height can be set in 3 or 6 ratchet steps
- The large base surface area and the strong adhesive film guarantees a high adhesive strength
- The self-adhesive film is foam backed (0.8 mm) to compensate for any irregularities on the mounting surface



Technical Information

Material	Polyamide 6.6
Temperature range	-40°C to +85°C
Colour	Natural
Mounting method	Self adhesive or screw-mounting
Flammability rating	UL 94 V-2
Other properties	Halogen free, Silicone free

Ordering Information

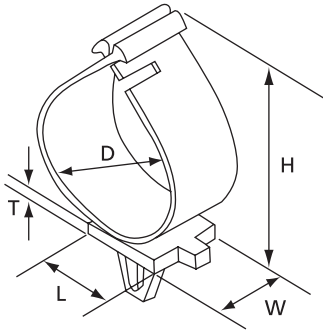
PRODUCT REF.	MOUNTING METHOD	DIMENSIONS							MOUNTING HOLE Ø	WEIGHT [g/100]	QUANTITY [pieces]
		H MAX. [mm]	H MIN. [mm]	W [mm]	L [mm]	D [mm]	E HEIGHT OF CLAMPING AREA MIN. - MAX. [mm]	F WIDTH OF CLAMPING AREA [mm]			
TC349A-TB	self-adhesive	14.5	11.5	25.0	25.0	2.7	6 - 8.5	6	-	120	1000
TC5349A-TB	self-adhesive	14.5	11.5	25.0	25.0	2.7	6 - 8.5	6	-	120	100
TC350A-TB	self-adhesive /screw	22.0	18.0	25.0	25.0	4.7	6 - 12.5	15	4.3	400	1000
TC5350A-TB	self-adhesive / screw	22.0	18.0	25.0	25.0	4.7	6 - 12.5	15	4.3	400	100
TC350	screw	21.3	17.2	25.0	25.0	4.0	6 - 12.5	15	4.3	380	1000
TC5350	screw	21.3	17.2	25.0	25.0	4.0	6 - 12.5	15	4.3	380	100

Accessories

Cable clamps

Re-openable clamps

- Simple installation
- Can be mounted by clipping-in or gluing
- For series production or as a temporary support during wiring installation
- Clip ends are rounded for comfortable re-opening
- Product Ref. TC 95 features 2-stage lock



Technical Information

Material	Polyamide 6.6
Temperature range	-40°C to +85°C
Colour	Natural
Mounting method	Clip in
Flammability rating	UL 94 V-2
Other properties	Halogen free, Silicone free

Ordering Information

PRODUCT REF.	DIMENSIONS					FOR WALL THICKNESS FROM ... TO	MOUNTING HOLE Ø	WEIGHT	QUANTITY
	H [mm]	W [mm]	L [mm]	D [mm]	T [mm]				
TC88	22.6	12.7	19.1	12.7	2.5	2.5 - 3.6	5.7 - 7	115	100
TC95	40.5	12.7	19.1	25.4	2.5	2.5 - 3.6	5.7 - 7	278	100

Accessories

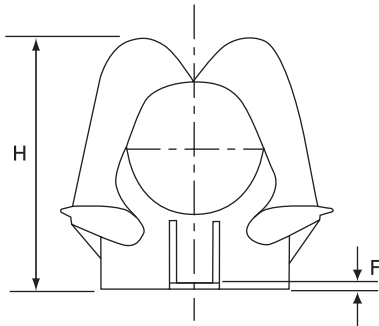
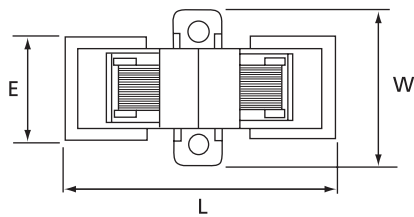
Mounting clamp

Re-openable clamps with springs

- Holding clips with rubberised fabric tape
- The built-in springs hold the cable bundle safely in the desired position
- The upper clip end is rounded for easy addition of cables
- Strong fixing due to two mounting holes, aligned along the axis of the cable bundle



1.2



Technical Information

Material - Body	Polyamide 6.6
Material - Elastic	Rayon & natural rubber
Material - Spring	Steel
Temperature range	-40°C to +85°C
Colour	Natural
Mounting method	2 screws
Flammability rating	UL 94 V-2 (body)
Other properties	Halogen free

Ordering Information

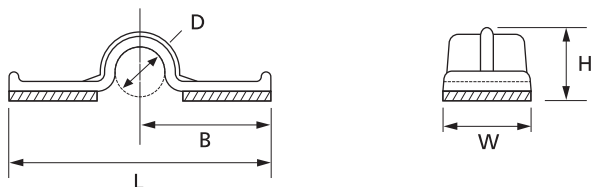
PRODUCT REF.	DIMENSIONS					MAX. BUNDLE Ø	MOUNTING HOLE Ø	WEIGHT	QUANTITY
	H	L	W	E	F				
	[mm]	[mm]	[mm]	[mm]	[mm]	[mm]	[mm]	[g/100]	[pieces]
TC86	46	44.5	31.8	22.2	2.5	19	3.9	860	25
TC87	58	62.7	38.1	25.4	2.5	32	3.9	1950	25

Accessories

Cable clips

Self-adhesive press clips

- 4 sizes to accommodate bundles from 3 mm to 12 mm
- Clips are provided "two-up" on a rubber based closed cell foam adhesive



Technical Information

Material	Polyamide 6.6 (clip)
Temperature range	-40°C to +85°C
Colour	Natural
Mounting method	Self-adhesive
Flammability rating	UL 94 V-2
Other properties	Halogen free, Silicone free

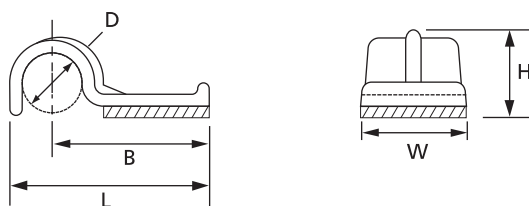
Ordering Information

PRODUCT REF.	DIMENSIONS						QUANTITY [pieces]
	D [mm]	L [mm]	B [mm]	H [mm]	W [mm]		
PCNY-125-9-C	3.17	19.30	9.65	5.36	9.52	100	
PCNY-250-9-C	6.35	35.05	17.52	8.23	12.69	100	
PCNY-375-9-C	9.52	37.32	18.61	11.29	15.87	100	
PCNY-500-9-C	12.69	40.57	20.19	14.85	19.05	100	

Cable clips

Self-adhesive half press clips

- 4 sizes to accommodate bundles from 3 mm to 12 mm
- Clips are provided "two-up" on a rubber based closed cell foam adhesive



Technical Information

Material - Body	Polyamide 6.6 (clip)
Temperature range	-40°C to +85°C
Colour	Natural
Mounting method	Self-adhesive
Flammability rating	UL 94 V-2
Other properties	Halogen free, Silicone free

Ordering Information

PRODUCT REF.	DIMENSIONS						QUANTITY [pieces]
	D [mm]	L [mm]	B [mm]	H [mm]	W [mm]		
HCNY-125-9-C	3.17	12.52	9.65	4.57	9.52	100	
HCNY-250-9-C	6.35	21.97	17.52	8.25	12.69	100	
HCNY-375-9-C	9.52	24.88	19.05	10.54	15.87	100	
HCNY-500-9-C	12.69	28.19	20.83	14.22	19.05	100	

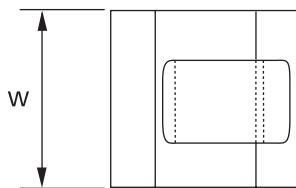
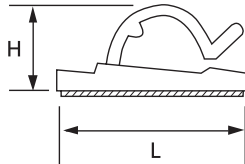
For other quantities please contact your Sales Office

Accessories

Cable clips

Self-adhesive clips for round cable

- Diverse cable clamps for bundle diameters from 4 mm to 15.8 mm
- Clips are provided two-up on a rubber based closed cell foam adhesive
- Flexible centre tang for removal or addition of cables



Technical Information

Material	Polyamide 6.6 (clip)
Temperature range	-40°C to +85°C
Colour	Natural
Mounting method	Self-adhesive
Flammability rating	UL 94 V-2
Other properties	Halogen free, Silicone free

Ordering Information

PRODUCT REF.	DIMENSIONS			MAX. BUNDLE Ø	QUANTITY
	H [mm]	L [mm]	W [mm]		
RANY-160-9-D	6.4	16.0	14.8	4.0	500
RANY-280-9-D	10.4	25.4	25.4	7.1	500
RANY-530-9-D	15.8	25.4	25.4	13.5	500
RANY-620-9-D	14.2	31.8	28.5	15.8	500

For other quantities please contact your Sales Office

Accessories

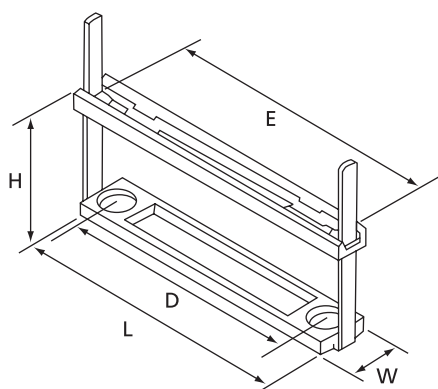
Accessories for flat cables

Cable clamps

- This system allows the secure and neat fixing of between 1 and 25 ribbon cables
- Clamp height adapts accurately to the desired number of ribbon cables
- Suitable for ribbon cables up to 60 conductors with a pitch of 1.27 mm (76.2 mm wide)
- Can be re-opened for later addition or removal of a cable
- Very strong hold
- All versions can be mounted with countersunk-head screws or rivets
- Some versions have an additional self-adhesive foam, for fast mounting

Technical Information

Material	Polyamide 6.6 (clip)
Temperature range	-40°C to +85°C
Colour	Natural
Mounting method	Self-adhesive and / or for screw- or rivet-mounting
Flammability rating	UL 94 V-2
Other properties	Halogen free, Silicone free



Ordering Information

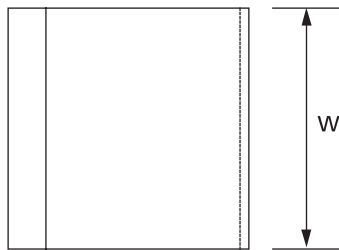
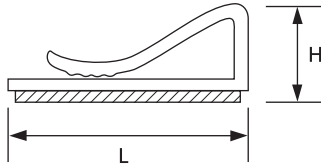
PRODUCT REF.	MOUNTING METHOD	DIMENSIONS					ADHESIVE STRENGTH ON STEEL/ FASTENING HOLE	WEIGHT [g/100]	QUANTITY [pieces]	
		H MAX. [mm]	H MIN. [mm]	W [mm]	L [mm]	D MOUNTING CENTRES [mm]				E INNER WIDTH [mm]
FCC-1	countersunk screws	21.0	8.0	12.7	32.5	–	25.4	M4	260	50
FCC-1A	countersunk screws / self-adhesive	21.0	8.8	12.7	32.5	–	25.4	76 N/cm	275	50
FCC-2	countersunk screws	36.0	8.0	12.7	57.9	39.1	50.8	M4	340	50
FCC-2A	countersunk screws / self-adhesive	36.0	8.8	12.7	57.9	39.1	50.8	76 N/cm	390	50
FCC-3	countersunk screws	36.0	8.0	12.7	83.3	64.5	76.2	M4	475	50
FCC-3A	countersunk screws / self-adhesive	36.0	8.8	12.7	83.3	64.5	76.2	76 N/cm	490	50

Accessories

Accessories for flat cables

PVC cable-clips

- Low profile clip for single or multiple layers of flat ribbon cable
- "Single cut" on a rubber based closed cell foam adhesive



1.2

Technical Information

Material	PVC (clip)
Temperature range	-40°C to +85°C
Colour	Grey
Mounting method	Self-adhesive
Flammability rating	UL 94 V-0 (clip)
Other properties	UV-resistant

Ordering Information

PRODUCT REF.	DIMENSIONS			QUANTITY
	H [mm]	L [mm]	W [mm]	
FRPV-1000-8-D	5.8	27	25.4	500

For other quantities please contact your Sales Office

Accessories

Accessories for flat cables

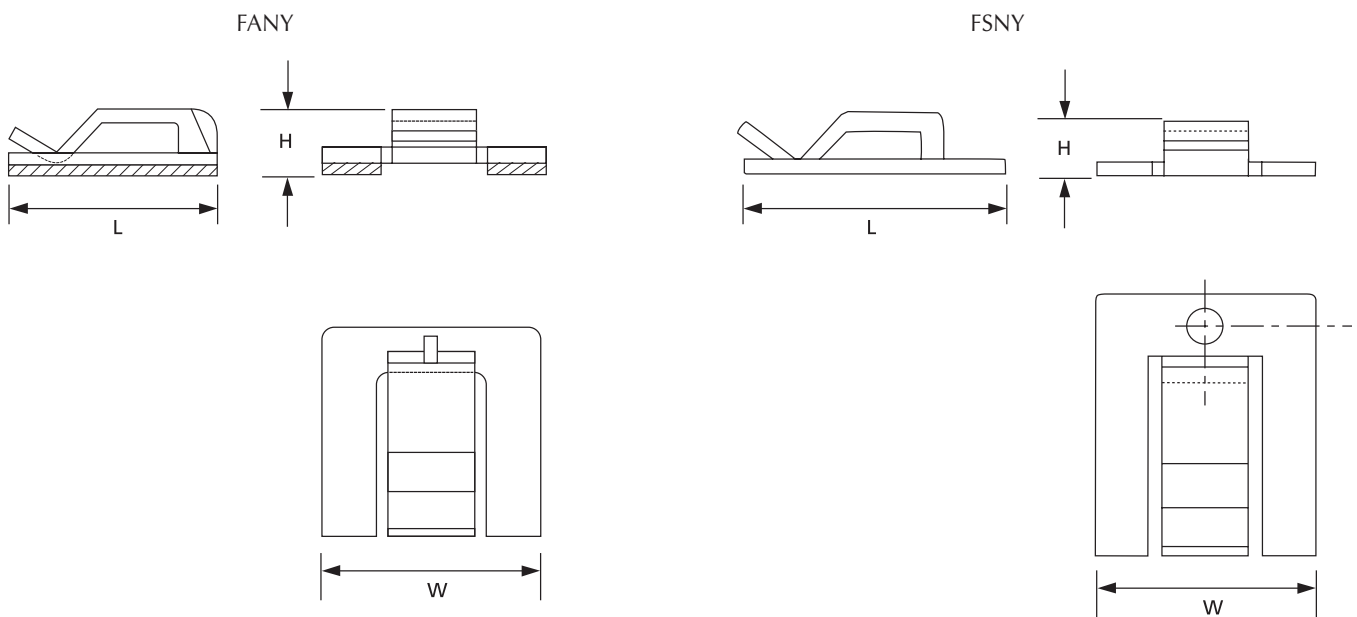
Clips with flexible leg

- Low profile clip for single or multiple layers of flat ribbon cable
- Flexible centre leg allows for easy removal and replacement of desired cable
- Non-conductive, non-corrosive, resistant to fuels, lubricants and most chemicals
- FANY supplied "two-up" on a rubber based closed cell foam adhesive
- FSNY type has an additional mounting hole for screw mounting (M4 screw)



Technical Information

Material	Polyamide 6.6 (clip)
Temperature range	-40°C to +85°C
Colour	Natural
Mounting method	Self-adhesive or screw
Flammability rating	UL 94 V-2 (clip)
Other properties	Halogen free, Silicone free



Ordering Information

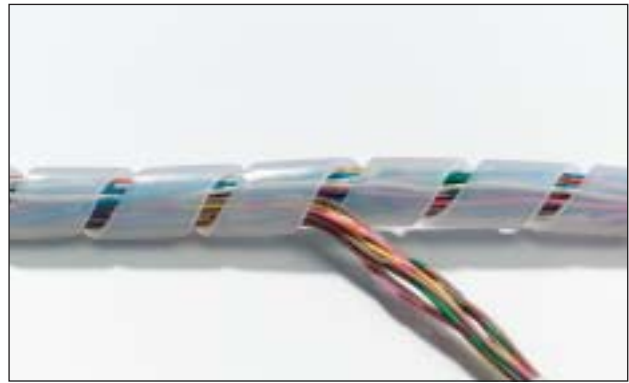
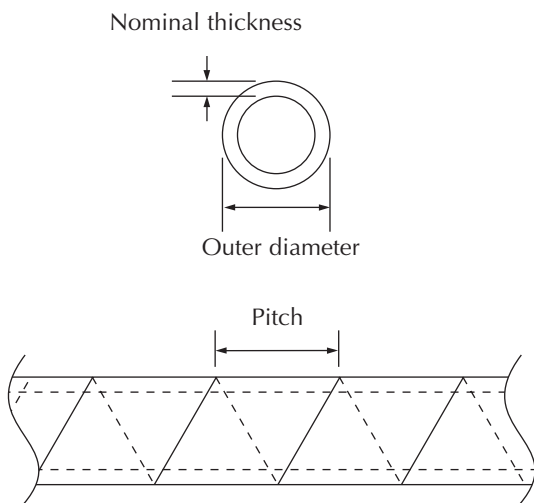
PRODUCT REF.	MOUNTING METHOD	DIMENSIONS			QUANTITY
		H [mm]	L [mm]	W [mm]	
FSNY-812-9-C	M4 screw	3.17	30.15	25.40	100
FANY-812-9-C	self-adhesive	7.14	25.40	25.40	100

For other quantities please contact your Thomas & Betts Sales Office

Accessories

Spiral wrap

- For protection of bundles from 1.6 mm to 177.8 mm
- Install gapped for greater flexibility or butted for maximum abrasion resistance, insulation and rigidity
- Counter-clockwise cut
- For general indoor use



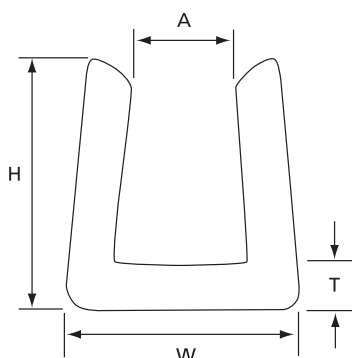
Technical Information

Material	Polyethylene
Temperature range	+10°C to +80°C
Colour	Natural and UV-resistant black
Flammability rating	UL 94 HB
Other properties	UV-resistant (black), Halogen free

Ordering Information

PRODUCT REF.	COLOUR	OUTER DIAMETER [mm]	PITCH [mm]	NOMINAL THICKNESS [mm]	MIN. - MAX. BUNDLE Ø [mm]	LENGTH PER REEL [m]
SRPE-125-9-C	natural	3.2	5.3	0.9	1.6 - 12.7	30.5
SRPE-187-9-C	natural	4.8	6.1	1.0	3.2 - 25.9	30.5
SRPE-250-9-C	natural	6.4	9.5	1.1	4.8 - 50.8	30.5
SRPE-375-9-C	natural	9.5	11.1	1.3	7.9 - 76.2	30.5
SRPE-500-9-C	natural	12.7	14.3	1.6	9.5 - 102.0	30.5
SRPE-625-9-C	natural	15.9	15.9	1.6	15.9 - 114.3	30.5
SRPE-750-9-C	natural	19.1	19.1	1.7	19.1 - 127.0	30.5
SRPE-1000-9-C	natural	25.4	28.2	1.8	25.4 - 177.8	30.5
SRPE-125-0-C	UV-resistant black	3.2	5.3	0.9	1.6 - 12.7	30.5
SRPE-187-0-C	UV-resistant black	4.8	6.1	1.0	3.2 - 25.9	30.5
SRPE-250-0-C	UV-resistant black	6.4	9.5	1.1	4.8 - 50.8	30.5
SRPE-375-0-C	UV-resistant black	9.5	11.1	1.3	7.9 - 76.2	30.5
SRPE-500-0-C	UV-resistant black	12.7	14.3	1.6	9.5 - 102.0	30.5
SRPE-625-0-C	UV-resistant black	15.9	15.9	1.6	15.9 - 114.3	30.5
SRPE-750-0-C	UV-resistant black	19.1	19.1	1.7	19.1 - 127.0	30.5
SRPE-1000-0-C	UV-resistant black	25.4	28.2	1.8	25.4 - 177.8	30.5

- Used to line panel edges and knock-outs where the chafing of passing wires is a concern
- Available in 8 stock sizes in 30.5 m lengths for panels from 1 mm to 6.35 mm
- In most applications, grommeting will grip tightly by itself, if not, a touch of Epoxy will keep it in place



Technical Information

Material	Polyamide 6.6
Temperature range	-40°C to +85°C
Colour	Natural or black
Flammability rating	UL 94 V-2
Other properties	Halogen free, Silicone free

Ordering Information

PRODUCT REF.	COLOUR	INTERNAL WIDTH	THICKNESS	H	W	LENGTH PER REEL
		A [mm]	T [mm]			
GRNY-040-9-C	natural	1.01	1.01	4.82	3.17	30.5
GRNY-052-9-C	natural	1.32	1.01	4.82	3.17	30.5
GRNY-062-9-C	natural	1.57	1.14	5.08	4.32	30.5
GRNY-085-9-C	natural	2.15	1.14	5.08	4.32	30.5
GRNY-100-9-C	natural	2.54	1.14	5.58	5.33	30.5
GRNY-125-9-C	natural	3.17	1.27	5.58	5.23	30.5
GRNY-187-9-C	natural	4.74	1.27	6.85	6.98	30.5
GRNY-250-9-C	natural	6.35	1.27	7.11	9.39	30.5
GRNY-040-0-C	black	1.01	1.01	4.82	3.17	30.5
GRNY-052-0-C	black	1.32	1.01	4.82	3.17	30.5
GRNY-062-0-C	black	1.57	1.14	5.08	4.32	30.5
GRNY-085-0-C	black	2.15	1.14	5.08	4.32	30.5
GRNY-100-0-C	black	2.54	1.14	5.58	5.33	30.5
GRNY-125-0-C	black	3.17	1.27	5.58	5.23	30.5
GRNY-187-0-C	black	4.74	1.27	6.85	6.85	30.5
GRNY-250-0-C	black	6.35	1.27	7.11	9.39	30.5

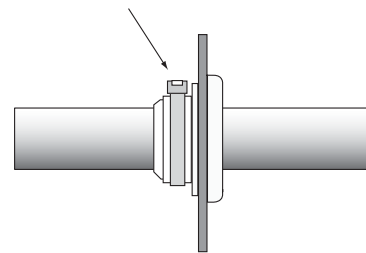
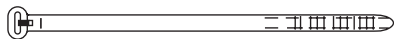
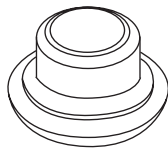
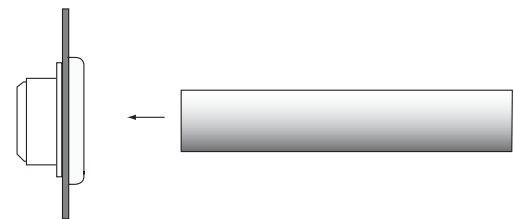
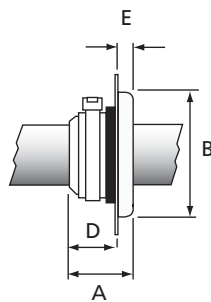
Accessories

Housing entry tubes with strain relief ties

- Highly elastic material allows passing of single wires
- Resistant to chemicals
- Weatherproof
- Simple and fast installation
- Supplied with a UV-resistant Ty-Rap® cable tie (see page 12 for cable tie specifications) for strong, secure and watertight strain-relief

Technical Information

Material - Housing	Neoprene
Material - Tie	Polyamide 6.6, UV-resistant
Temperature range	-30°C to +110°C for the housing -40°C to +85°C for the cable tie
Colour	Black (housing and tie)
Flammability rating	UL 514 (housing) UL 94 V-2 (cable tie)
Other properties	Halogen free, Silicone free



Ordering Information

PRODUCT REF.	DIMENSIONS				FOR CABLE Ø FROM ... TO [mm]	Ø OF HOLE IN PANEL [mm]	FOR PANEL THICKNESS UP TO [mm]	TYPE OF INCLUDED CABLE TIE	WEIGHT [g/100]	QUANTITY [pieces]
	A [mm]	B [mm]	D [mm]	E [mm]						
7401	18.6	24	13.6	5.0	4.0 - 9.0	16	2.2	TY24MX	420	10
7402	18.7	28	13.7	5.0	7.0 - 12.0	19	2.2	TY25MX	690	10
7403	22.0	34	17.0	5.0	12.0 - 18.0	25	2.2	TY25MX	1100	10
7404	24.0	43	19.0	5.0	18.0 - 25.0	32	2.2	TY25MX	1500	5
7405	24.5	51	18.5	6.0	25.0 - 32.0	38	2.2	TY25MX	1950	5