

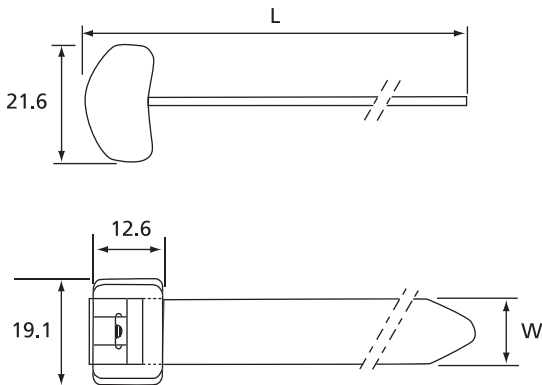
# Deltec

## Cable support system with metallic locking barb

The Deltec Cable Support System is a user-friendly product designed to provide ease and flexibility in fastening communications cables to messenger strand. It is equally well suited for copper conductor cable, coaxial cable, fibre optic cable and inner duct in aerial applications.

The Deltec system answers your aerial cable needs with innovative design and state of the art materials. This system includes weather-resistant Delrin® cable straps, marine grade locking devices, and base and hanger accessories for specific applications where mounting is required.

- Provides a strong, long-life and cost saving method of securing communication and overhead cables
- Double locking head with corrosion resistant locking barbs in copper alloy
- Proven years of service: designed to last a minimum of 20 years outdoor
- No sharp edges: operator friendly, cable friendly!
- Easy to install, low installation costs
- Extremely robust ties, with high tensile strength (1110N) after fastening
- Available either in pre-cut and pre-assembled lengths, or on reels with separate heads for total flexibility
- Choice of specific spacers and accessories
- Month and year of manufacture stamped into strap material



### Technical Information

Material - Strap & head	Delrin®*, toughened weatherable acetal
Material - Locking barb	Marine grade, corrosion-resistant copper alloy
Temperature range	-40°C to +85°C
Flammability rating	UL 94 HB
Colour	Black
Other properties	UV-resistant, Halogen free, superior resistance to moisture and salt environments

\* Delrin® is a registered trade mark of DuPont de Nemours

### Ordering Information: Pre-assembled Deltec cable ties with double-locking head

PRODUCT REF.	LENGTH	WIDTH	BUNDLE DIAMETER	MINIMUM TENSILE	QUANTITY	TOOLING
	L [mm]	W [mm]	MAX. [mm]	STRENGTH [N]		
TYD510M	1300.5	10.0	390	1110	100	
CSS-100	254.0	12.7	60	1110	50	
TYD5135M	342.9	12.7	90	1110	25	
CSS-160	406.4	12.7	110	1110	50	
TYD5270M	685.8	12.7	200	1110	10	

For tooling specifications, see pages 92 to 99

Note: the recommended maximum continuous static loading for the Deltec straps is 90 N per strap. For best results suggested spacing is 35 to 40 cm. It is the responsibility of the user to determine whether or not their application meets our recommendation.



# Deltec

Cable support system with metallic locking barb on a reel

## Technical Information

Material	Delrin®*, toughened weatherable acetal
Temperature range	-40°C to +85°C
Flammability rating	UL 94 HB
Colour	Black
Other properties	UV-resistant, Halogen free superior resistance to moisture and salt environments

\* Delrin® is a registered trademark of DuPont de Nemours



## Ordering Information

PRODUCT REF.	LENGTH PER REEL L [m]	WIDTH W [mm]	MINIMUM TENSILE STRENGTH [N]	QUANTITY [reels]	TOOLING
TYD-50R	15.2	12.7	1110	1	WT3D
696-41794	304.8	12.7	1110	2	L-500-EU

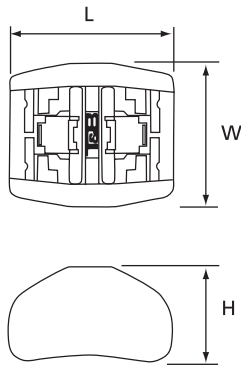
For tooling specifications, see pages 92 to 99

To be assembled with Deltec separate double locking-heads (see next page)

Tooling is for fastening the assembly

# Deltec

Cable support system with metallic locking barb  
Double locking heads



## Technical Information

Material - moulding	Delrin®
Material - locking barb	Marine grade, corrosion-resistant copper alloy
Temperature range	-40°C to +85°C
Flammability rating	UL 94 HB
Colour	Black
Other properties	UV-resistant, Halogen free superior resistance to moisture and salt environments

\* Delrin® is a registered trademark of DuPont de Nemours

## Ordering Information

PRODUCT REF.	LENGTH L [mm]	WIDTH W [mm]	HEIGHT H [mm]	QUANTITY [pieces]
TYD-LH	21.6	19.1	12.6	25
696-41795	21.6	19.1	12.6	1000

To be assembled with Deltec strap on reel (see page before)

## Cable support system with metallic locking barb Deltec Kits

- Convenient kits containing several reels of strap and separate locking heads, to provide all you need to be efficient on the field
- 2 configurations to match your need

## Ordering Information

PRODUCT REF.	REELS		LOCKING HEADS
	LENGTH PER REEL [m]	QUANTITY [reels]	QUANTITY [pieces]
CSS-5K	15.2	5	150
CSS-10K	15.2	10	300

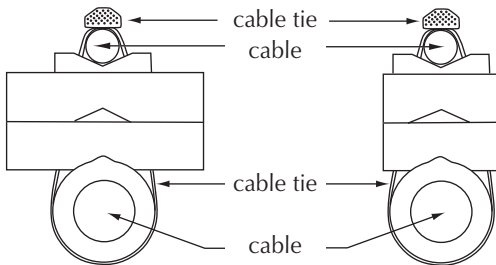
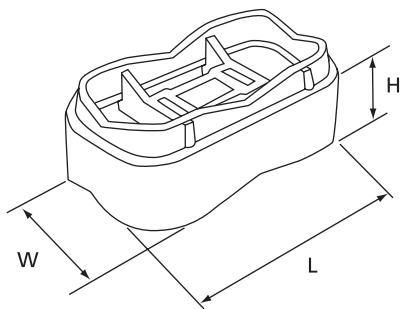


# Deltec

Cable support system with metallic locking barb

## Modular, stackable cable spacers

- Stackable height in 12.7 mm increments, for any desired spacing and all cable sizes - no need to stock multiple sizes of individual height spacers
- Designed to retain strap on each side and cradle the cable, providing restricted movement of spacer and preventing damage to cable
- Suitable for coaxial cables
- Can be used for parallel routing or for perpendicular cables



## Technical Information

Material	Weather-resistant polypropylene
Temperature range	-40°C to +85°C
Flammability rating	UL 94 HB
Colour	Black
Other properties	UV-resistant, Halogen free

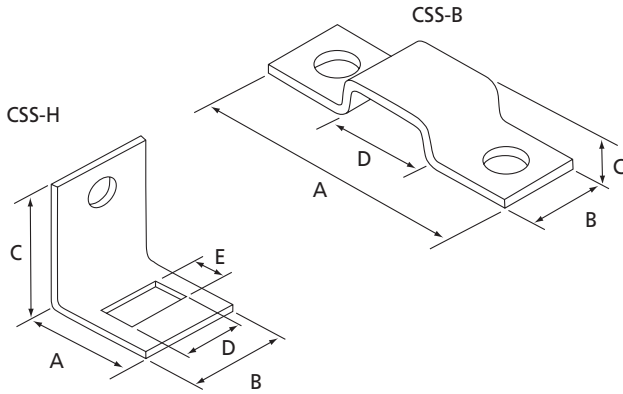
## Ordering Information

PRODUCT REF.	LENGTH L [mm]	WIDTH W [mm]	HEIGHT H [mm]	QUANTITY [pieces]
TCP5255	53.3	30.5	12.7	25
TCP360	53.3	30.5	12.7	100

# Deltec

## Cable support system with metallic locking barb Base and hanger

- To secure the cables to all types of surfaces



### Technical Information

Material	Zinc plated steel
Colour	Metallic

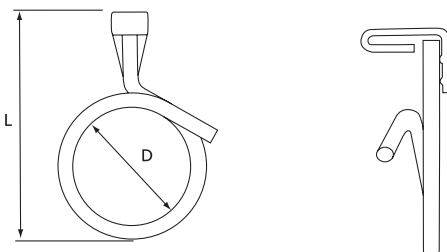
### Ordering Information

PRODUCT REF.	DIMENSIONS					MOUNTING HOLE DIAMETER [mm]	QUANTITY [pieces]
	A [mm]	B [mm]	C [mm]	D [mm]	E [mm]		
CSS-B	48.4	14.3	7.1	15.1	5.6	6.7 (2x)	50
CSS-H	22.5	22.2	29.8	13.6	8.3	6.9	50

Note: see pages 59 to 89 for other mounting bases in Nylon

## Cable support system with metallic locking barb Drop wire support

- For easily routing drop wires along distribution cables, poles and cable support strand



### Technical Information

Material	Nylon coated steel
Colour	Black

### Ordering Information

PRODUCT REF.	L [mm]	D [mm]	QUANTITY [pieces]
CSS-DWS	61.9	31.8	25