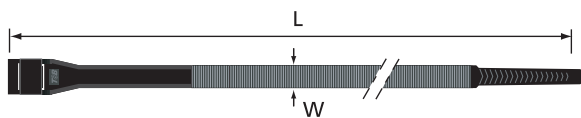
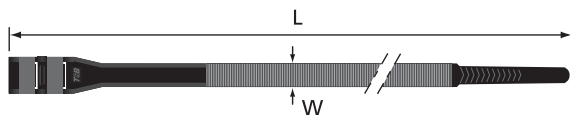


- For securing and bundling of cables in the utility and construction industries
- Low profile double locking head\*
- Serrations on the outer side of the tie eliminates the risk of damage to the cable
- Ideal for hazardous environments, low temperatures and humidity
- Conform to EDF HN33/S/62

Single locking head



Double locking head



### Technical Information

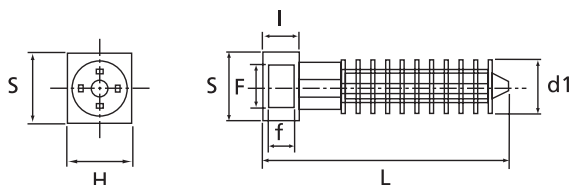
Material	Polyamide 12
Temperature range	-40°C to +80°C
Colour	Black
Flammability rating	UL 94 HB
Other properties	UV-resistant

### Ordering Information

PRODUCT REF.	LENGTH L [mm]	WIDTH W [mm]	THICKNESS [mm]	BUNDLE DIAMETER FROM ... TO [mm]	MINIMUM TENSILE STRENGTH [N]	QUANTITY [pieces]	TOOLING
CT-9-180-0-C*	180	9	1.8	10 - 42	440	100	
CT-9-260-0-C	260	9	2.0	15 - 62	560	100	L300-FR
CT-9-360-0-C	360	9	2.0	25 - 92	560	100	L-500-EU
CT-9-500-0-C	510	9	2.4	74 - 140	540	100	WT3D
CT-9-750-0-C	760	9	2.4	74 - 220	540	100	

\* Product Ref. CT-9-180-0-C has a single locking head  
For tooling specifications see pages 92 to 99

- Suitable for  $\varnothing$  8 mm hole
- Simply drill hole and hammer the plug in



### Technical Information

Material	Polyamide 11/12
Temperature range	-40°C to +80°C
Colour	Black
Flammability rating	UL 94 HB
Other properties	UV-resistant

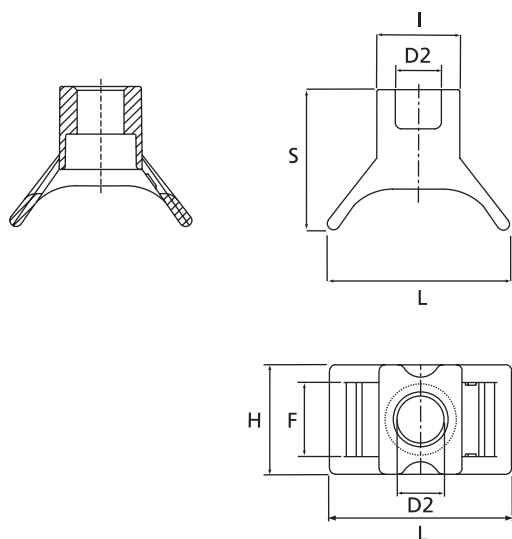
### Ordering Information

PRODUCT REF.	L [mm]	$\varnothing$ d1 [mm]	S [mm]	H [mm]	I [mm]	F [mm]	f [mm]	QUANTITY [pieces]
CT-5359	43.1	9.6	13.2	16	6.3	9.5	2.4	100

## Heavy-duty installation ties

### Accessories: cradle

- Use 5 mm screw
- For ties up to 9 mm wide



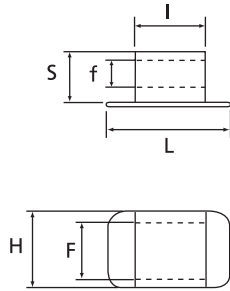
### Technical Information

Material	Polyamide 11/12
Temperature range	-40°C to +80°C
Colour	Black
Flammability rating	UL 94 HB
Other properties	UV-resistant

### Ordering Information

PRODUCT REF.	L [mm]	I [mm]	S [mm]	H [mm]	F [mm]	D2 [mm]	QUANTITY [pieces]
CT-3401	22.9	10.5	17.6	13.8	9.4	5.9	100

- Accommodates two cable ties for joining the cables together or for joining the cable to a support



### Technical Information

Material	Polyamide 6.6
Temperature range	-40°C to +85°C
Colour	Black
Flammability rating	UL 94 V-2
Other properties	UV-resistant

### Ordering Information

PRODUCT REF.	L [mm]	I [mm]	S [mm]	F [mm]	f [mm]	H [mm]	QUANTITY [pieces]
LPT3402	21.3	11.9	9.4	10.2	4.4	13.8	100